

BOSS[®]



SIDE CANTILEVER TOWER SCAFFOLD

3T - Through the Trapdoor Method

USER GUIDE

Contents

Safety First	2
Component Diagram	12
Component Quantity & Safety Data Schedule	13
Build Method	17
Pre-use Safety Inspection Checklist	30

Safety First

Introduction

Please read this guide carefully.

Please note that diagrams are for illustrative purposes only.

User guides are also available to download from our website at www.bossaccesstowers.com

BoSS mobile aluminium towers are light-weight scaffold towers used throughout the building and construction industry for both indoor and outdoor access solutions where a stable and secure platform is required. Ideal for maintenance and installation work or short-term access, the highly versatile towers provide a strong working platform for a variety of heights.

The law requires that personnel erecting, dismantling, using or altering towers must be competent. Any person erecting or using a BoSS mobile tower must have a copy of this user guide. For further information on the use of mobile access and working towers consult the PASMA operator's code of practice.

Verification and assessment documentation is held by Werner UK Sales & Distribution Ltd.

If you need further information, design advice, additional user guides or any other help with this product, please contact the manufacturer on **+44 (0)1621 745900** or email **uk.customercare@wernerco.com**.

Safety First

Safe use

- Check overhead that the area into which the structure is to be erected contains no obstructions, particularly electrical or radio radiation hazards.
- The structure is highly conductive and must not be used when there is a risk of electrical arcing.
- Ensure the ground on which the mobile access tower is to be erected is capable of supporting the tower in use.
- Before each use:
 - Check that each prefabricated tower scaffold is complete and correctly assembled.
 - Check that the prefabricated tower scaffold is vertical and make any adjustments as required.
 - Check that no environment changes will affect the safe use of the structure.
- Adjustable legs should only be used for levelling purposes and never to gain extra height.
- Do not use ladders, steps, boxes or similar, to gain additional working height.
- Only climb the tower from the inside using the access method provided.
- Tower scaffolds are not designed to be lifted or suspended.
- Beware of horizontal forces (e.g. power tools) which could generate instability.

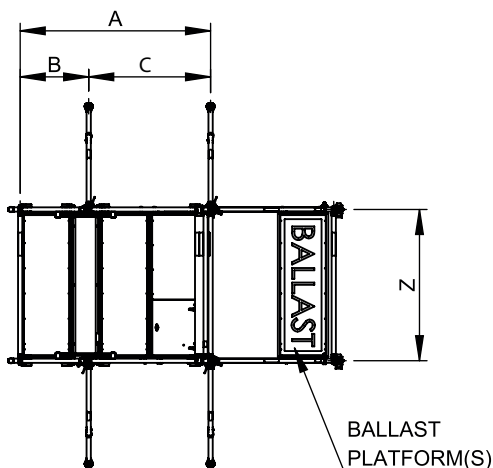
Maximum horizontal force per working bay = 30kg

- Tools and materials should be lifted using a reliable lifting material (e.g. a strong rope) employing a reliable knot (e.g. clove hitch) to ensure safe fastening and always lift within the footprint of the prefabricated tower scaffold (i.e. within the area bounded by the stabilisers).
- Use good manual handling techniques when handling tower components.

Safety First

Safe use

- Safe working loads, normally expressed in kN/m², are expressed below in kg per defined working area.



1.8m long main tower with 0.6m wide cantilever

Defined working area	Max. safe working load (uniformly distributed including persons)	Load class	Max. no. of persons*
A x Z	587 kg	2	2
B x Z	275 kg		
C x Z	312 kg		

2.5m long main tower with 0.6m wide cantilever

Defined working area	Max. safe working load (uniformly distributed including persons)	Load class	Max. no. of persons*
A x Z	715 kg	2	2
B x Z	275 kg		
C x Z	440 kg		

*Persons are assumed to be 122kg (Reference to HSE - Revision of body size criteria in standards Protecting people who work at Access Classes height - Research report 342)

Safety First

Access classes

The Access Class provided for climbing this tower is: Access Class 'D' (Vertical Ladder).

Lifting of individual tower components

- Raising and lowering components, tools and/or materials by rope should be conducted within the tower base (i.e. within the area bounded by the stabilisers). Ensure that the safe working load of the supporting decks and the tower structure is not exceeded.

Movement of the assembled prefabricated tower scaffold

Ensure gloves or other suitable hand protection is worn.

Before

The safe movement of any prefabricated tower scaffold shall be included in a specific risk assessment and take into account:

- Site Conditions
 - Ground surface (such as potholes, unstable surfaces, inclines).
 - Overhead obstructions (such as live electrical cables or building members).
- Wind conditions.
- Dimensions of the tower structure (a shorter tower will be more stable during movement - see PASMA guidance).
- Consequences of overturning.

If the site conditions are not adequate to permit the safe movement of a mobile tower structure, then it must not be moved.

During

Mobile tower structures shall be moved with the utmost caution:

- Remove cantilever by reversing assembly steps 12, 11 and 10.
- Remove ballast.
- Any stabilisers fitted must remain in position and raised no more than 25mm from the ground.
- Prefabricated tower structures must only be pushed using manual effort at or near the base.
- Movement of a mobile tower structure shall be no faster than 0.25m/s (very slow walking pace) and sufficient number of persons shall be used to ensure the movement is fully under control.
- No persons, tools or materials shall be left on the mobile tower structure during movement.

Safety First

- Ensure all castors are unlocked.
- Beware of ground level and overhead obstructions, uneven or sloping ground, sudden changes of levels (holes, voids, kerbs).

AFTER

- Ensure all castors are locked.
- Reposition stabilisers as per assembly step 6.
- Replace ballast as per assembly step 7.
- Replace cantilever as per assembly steps 10, 11 and 12.
- The pre-use checklist on the final page shall be used to determine tower integrity.

Maintenance - Storage - Transport

- All components and their parts should be regularly inspected to identify damage, particularly to joints. Lost or broken parts should be replaced and any tubing with indentation greater than 5mm shall be replaced. Adjustable leg threads should be cleaned and lightly lubricated to keep them free running.
- Brace claws, frame interlock clips, trapdoor latches, camlocks and platform wind-locks should be regularly checked to ensure they lock correctly.
- Refer to the BoSS Inspection Manual for detailed inspection and maintenance advice: www.bossacesstowers.com
- Components should be stored in clean, dry conditions with due care to prevent damage.
- Ensure components are not damaged by excessive strapping forces when transported.

Ballast Weights

Ballast should always be fitted when specified. Ballast must be of solid materials (i.e. not sand, water or other liquid or granular materials) and must be securely attached to the tower structure.

Ballast weights placed at the base of the structure will increase tower self-weight, thereby increasing stability. Care must be taken to ensure that the weight of the ballast weights used is known, and that the total safe load on the structure, and particularly on the castors, is not exceeded. Use good manual handling techniques when handling ballast.

See quantity schedule on pages 13 to 16 for ballast information.

Note: Ballast weights should be uniformly distributed to a maximum of 275kg per deck.

Safety First

During assembly, use and dismantling

- As part of the risk assessment, wind conditions must be taken into account and reviewed regularly, depending on the duration the structure is onsite.
- The structure has been assessed for wind loads equating to 27mph (43kph, 12m/s).
- The effect of wind conditions onsite must be considered prior to the assembly of a tower. The tower must not be used in wind speeds beyond 27mph. If greater wind speeds are forecast, the tower must be dismantled while it is still safe to do so.
- Sheets, tarpaulins, cladding or similar, must not be attached to the tower as these will significantly increase any side loads from wind and will potentially make the tower unstable.
- Beware of wind turbulence, funnelling effects around buildings and updraughts on stairways.

The maximum allowable side load on a tower is 30kg.

- CAUTION: Excessive side loads due to working from the tower may cause the structure to become unstable. Special consideration should be given to side loads including vibrations.
- Do not abuse equipment. Damaged, incorrect or incompatible components should not be used.
- The structure is highly conductive and must not be used when there is a risk of electrical arcing.
- Exercise caution when touching unprotected metal components in extreme high or low temperatures.
- If the tower is damaged in any way while in service, it must not be used again until the damaged components are replaced.

Wind description	Beaufort scale	Beaufort no.	Speed in mph	Speed in m/sec
Medium Breeze	Raises dust and loose paper, twigs snap off	4	8-12	4-6
Strong Breeze	Large branches in motion, telegraph wires whistle	6	25-31	11-14
Gale Force	Walking is difficult	8	39-46	17-21

Safety First

Ties

This structure is designed to be self-supporting under the loading condition requirements of BS 1139-6:2014 and does not require tying in. Consideration should be given to potential wind conditions if the tower is left unattended - see 'During Assembly, Use and Dismantling' section on page 7.

Tower designation & safety data

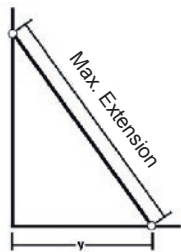
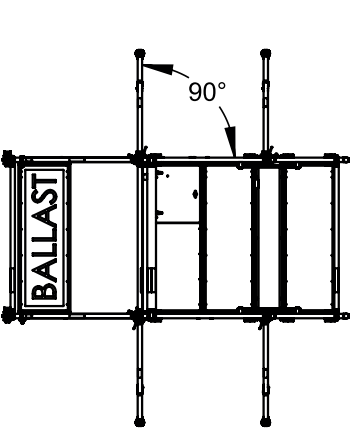
In accordance with the prefabricated tower scaffold standards, the 'Tower Designation & Safety Data' should be positioned at the base of the prefabricated tower scaffold as shown within the user guide, by means of the 'Tower Designation Information Assembly'. It must be clearly visible so that users are aware of the conditions of safe use. Refer to safety data schedule on pages 13 to 16 for details.

Stabilisers

Stabilisers should always be fitted when specified. See quantity schedule on pages 13 to 16.

Attach one stabiliser to each corner of the tower as shown.

Position the lower clamp so that the lower arm is as close to horizontal as possible. Adjust the position of the upper clamp to ensure the stabiliser foot is in contact with the ground. Ensure clamps are secure.



	y
SP7	1227
SP10	2241
SP15	2757

Safety First

Assembly Procedure

This tower structure must be assembled, and components oriented, in accordance with this user guide. Deviation from this user guide is not permitted.

A minimum of two persons are recommend for assembly and disassembly of this prefabricated tower structure. The maximum number of persons permitted on the tower during assembly is stated in the safety data schedule.

Platforms must be installed with vertical distances between them not exceeding 2m when assembling and dismantling.

The maximum number of people on a working platform level permitted to simultaneously exert a horizontal load of 30kg is:

- **1 person per bay for bays less than 4m long**
- **2 persons per bay for bays greater than 4m in length**

Check that all components, tools and safety equipment are onsite (refer to quantity schedule), undamaged and that they are functioning correctly, particularly the brace claw locking mechanism.

Full inspection guidance can be found at www.bossscesstowers.com.

Damaged or incorrect components should not be used.

Component weights can be found in the quantity schedule and on the corresponding BoSS Product Datasheets.

Check that the ground on which the tower structure is to be erected and moved is capable of supporting the tower in use and within the levelling limits of the tower system.

Check overhead that the area into which the tower structure is to be built contains no obstructions, particularly electrical or radio radiation hazards.

When positioning the tower take into account risk of collision with the tower e.g. from pedestrians, vehicles or doors. Secure doors (not fire exits) and windows where possible in the work area.

Never stand on an unguarded platform positioned above the first rung of a tower structure. If your risk assessment shows it necessary, you may also need to guardrail platforms at this level.

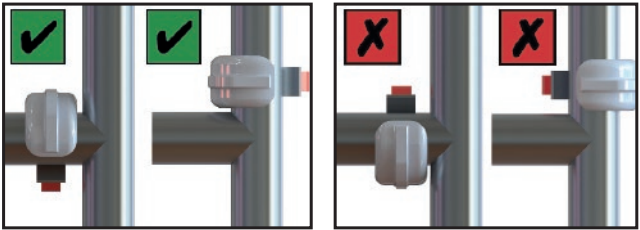
Safety First

Assembly Procedure

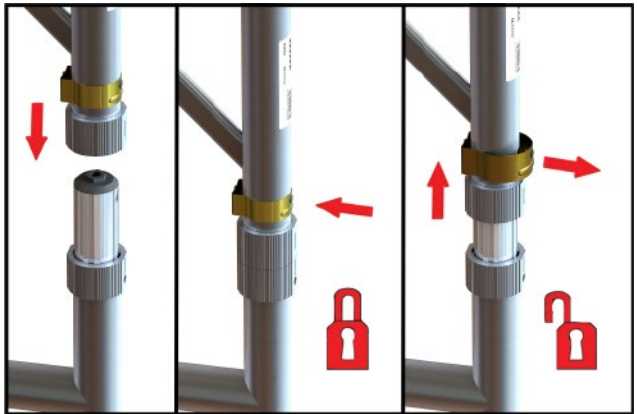
Tower components should be lifted using a reliable lifting material (e.g. a strong rope) employing a reliable knot (e.g. clove hitch) to ensure safe fastening and always lift within the footprint of the tower structure.

'Tower Designation & Safety Data' content for the 'Tower Designation Information Assembly' can be found in the 'Safety Data Schedule'. This assembly must be positioned at the base of the prefabricated tower scaffold and clearly visible for users. Refer to Safety Data Schedule for content.

Adjustable legs should only be used for levelling purposes and never to gain extra height.



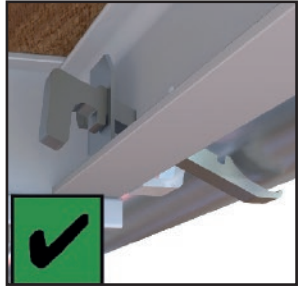
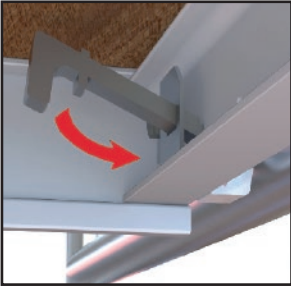
Ensure horizontal braces and guardrails are fitted correctly.



Ensure interlock clips on frame members are in the 'locked' position.

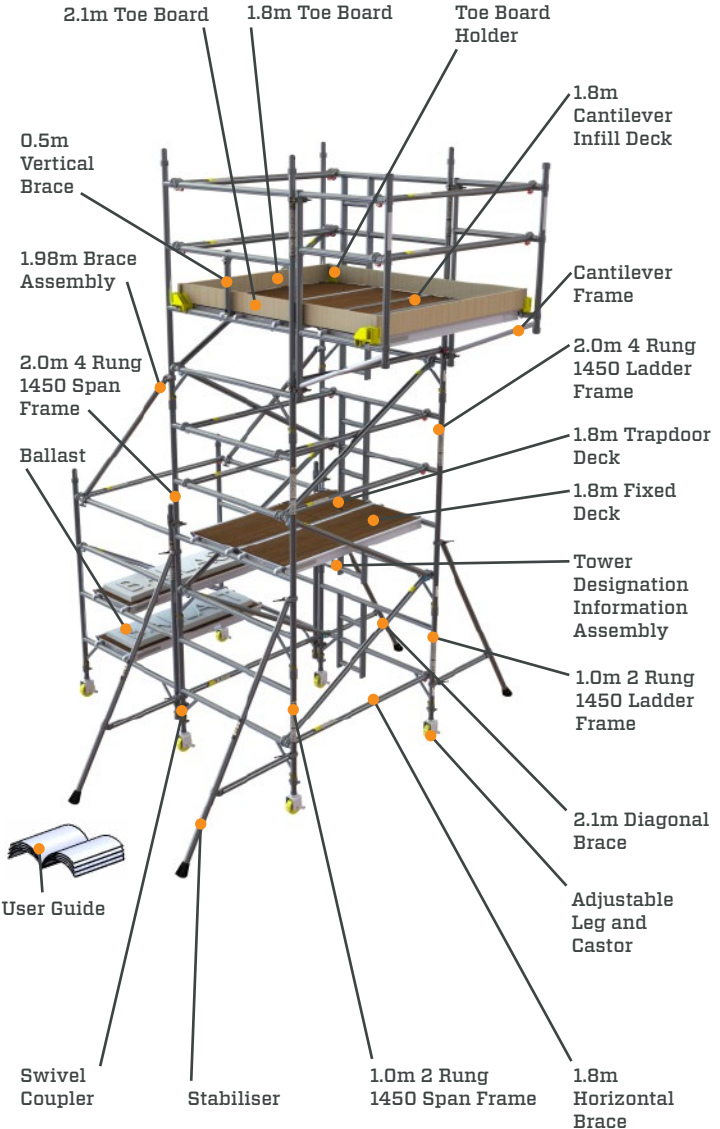
Safety First

Assembly Procedure



Ensure wind-locks are engaged before moving onto the deck levels.

Component Diagram



Component Quantity & Safety Data Schedule

BoSS Compact Side Cantilever Tower Scaffold - 1.8m Long Main Tower with 0.6m Wide Cantilever

Component code	Component description and weight	Composite code	Internal or external use											
			33401200	33401700	33402200	33402700	33403200	33403700	33404200	33404700	33405200	33405700	33406200	
			3.2	3.7	4.2	4.7	5.2	5.7	6.2	6.7	7.2	7.7	8.2	
		Platform height (m) >	1.2	1.7	2.2	2.7	3.2	3.7	4.2	4.7	5.2	5.7	6.2	
33551300	Adjustable Leg	1.1kg	6	6	6	6	6	6	6	6	6	6	6	6
32842300	Ø150mm (6") Castor	3.3kg	6	6	6	6	6	6	6	6	6	6	6	6
60551300	Span Frame Mk2 - 1.0m - 2 Rung - 1450 Wide	4.0kg	-	1	1	-	-	1	1	-	-	-	-	1
60451300	Span Frame Mk2 - 1.5m - 3 Rung - 1450 Wide	5.6kg	-	2	2	-	-	2	2	-	-	-	-	2
60351300	Span Frame Mk2 - 2.0m - 4 Rung - 1450 Wide	7.1kg	3	2	3	3	4	3	4	4	4	5	4	5
61151300	Ladder Frame Mk3 - 1.0m - 2 Rung - 1450 Wide	5.4kg	-	1	1	-	-	1	1	-	-	-	-	1
61051300	Ladder Frame Mk3 - 1.5m - 3 Rung - 1450 Wide	8.0kg	-	1	1	-	-	1	1	-	-	-	-	1
60951300	Ladder Frame Mk3 - 2.0m - 4 Rung - 1450 Wide	10.4kg	1	-	1	2	2	2	2	2	2	3	2	3
34051300	Cantilever Frame	7.5kg	2	2	2	2	2	2	2	2	2	2	2	2
34651400	0.5m Vertical Brace	1.1kg	1	1	1	1	1	1	1	1	1	1	1	1
31251300	1.8m Horizontal Brace	2.0kg	10	10	10	14	14	14	14	18	18	18	18	18
31351300	2.1m Diagonal Brace	2.1kg	2	4	4	6	6	8	8	10	10	12	12	12
30151100	1.8m Fixed Deck	11.8kg	3	3	3	5	4	5	5	5	5	5	5	5
30451100	1.8m Trapdoor Deck	12.7kg	1	1	1	1	2	2	2	2	2	3	3	3
31751300	Stabiliser - SP7 - Saddle Blade Clamp	3.8kg	4	4	4	4	4	4	4	-	-	-	-	-
31851300	Stabiliser - SP10 - Saddle Blade Clamp	8.8kg	-	-	-	-	-	-	-	2	2	4	4	4
34051600	0.89m Brace Assembly	1.6kg	-	-	-	-	-	-	-	2	2	2	2	2
34451300	1.96m Brace Assembly	2.4kg	-	-	-	2	2	2	2	2	2	2	2	2
00214100	Swivel Coupler - Steel	1.7kg	4	4	4	4	4	4	4	4	4	4	4	4
31351100	1.8m Cantilever Infill Deck Mk2	7.9kg	1	1	1	1	1	1	1	1	1	1	1	1
30150900	Toe Board Holder	0.3kg	4	4	4	4	4	4	4	4	4	4	4	4
33650900	2.1m End Toe Board	3.6kg	2	2	2	2	2	2	2	2	2	2	2	2
30450900	1.8m Side Toe Board	3.2kg	2	2	2	2	2	2	2	2	2	2	2	2
30001900	Tower Designation Information Kit	-	1	1	1	1	1	1	1	1	1	1	1	1
03302200	User Guide	-	1	1	1	1	1	1	1	1	1	1	1	1

Component Quantity & Safety Data Schedule

Total Self-weight Of Tower (kg)	192	201	205	250	255	276	280	332	336	346	350
Ballast Internal Use (kg)	110	120	130	150	160	160	170	175	180	185	190
Ballast External Use (kg)	120	155	190	230	260	290	320	365	410	450	490
Max. Exerted Leg Load Internal Use (kg)	280	290	300	310	320	340	350	350	350	350	350
Max. Exerted Leg Load External Use (kg)	280	290	300	310	330	350	360	390	420	450	480
Max. No. Of Persons On Any One Platform Unit	2	2	2	2	2	2	2	2	2	2	2
Max. No. Of Persons Permitted On The Tower During Assembly & Dismantling	2	2	2	2	2	2	2	2	2	2	2
Max. No. Of Simultaneous Working Platforms Permitted	1	1	1	1	1	1	1	1	1	1	1
Max. No. Of Persons Permitted On The Working Platform During Use											
2nd / 3rd / 4th / 5th / 6th Highest Working Platform During Use	2	2	2	2	2	2	2	2	2	2	2
Highest Working Platform During Use	-	-	-	-	-	-	-	-	-	-	-
Max. Safe Working Load On The Working Platform (kg u.d.l)											
Highest Working Platform (kg u.d.l)	587	587	587	587	587	587	587	587	587	587	587
2nd / 3rd / 4th / 5th / 6th Highest Working Platform (kg u.d.l)	-	-	-	-	-	-	-	-	-	-	-
Max. Safe Working Load On The Entire Tower Scaffold (kg u.d.l)	587	587	587	587	587	587	587	587	587	587	587
Max. Working Platform Height For Internal Use (m)	1.2	1.7	2.2	2.7	3.2	3.7	4.2	4.7	5.2	5.7	6.2
Max. Working Platform Height For External Use (m)	1.2	1.7	2.2	2.7	3.2	3.7	4.2	4.7	5.2	5.7	6.2
Design Standard	BS1139-6	BS1139-6	BS1139-6	BS1139-6	BS1139-6	BS1139-6	BS1139-6	BS1139-6	BS1139-6	BS1139-6	BS1139-6
Load Class	2	2	2	2	2	2	2	2	2	2	2
Access Class	D	D	D	D	D	D	D	D	D	D	D
Clear Height Class	-	-	-	H ₁	H ₁	H ₁	H ₁	H ₁	H ₁	H ₁	H ₁

NOTE:

The safety data specified within the schedule above which relates to the specific tower to be assembled must be transferred into the pre-defined boxes on the Tower Designation Information insert found in the Tower Designation Information Kit.

Component Quantity & Safety Data Schedule

BoSS Compact Side Cantilever Tower Scaffold - 2.5m Long Main Tower with 0.6m Wide Cantilever

Component code	Component description and weight	Internal or external use													
		33501200	33501700	33502200	33502700	33503200	33503700	33504200	33504700	33505200	33505700	33506200			
		3.2	3.7	4.2	4.7	5.2	5.7	6.2	6.7	7.2	7.7	8.2			
		Working height (m) >	Platform height (m) >	1.2	1.7	2.2	2.7	3.2	3.7	4.2	4.7	5.2	5.7	6.2	
33551300	Adjustable Leg	1.1kg	6	6	6	6	6	6	6	6	6	6	6	6	6
32842000	Ø150mm (6") Castor	3.3kg	6	6	6	6	6	6	6	6	6	6	6	6	6
60551300	Span Frame M2 - 1.0m - 2 Rung - 1450 Wide	4.0kg	-	1	1	-	-	-	-	-	-	-	-	-	-
60451300	Span Frame M2 - 1.5m - 3 Rung - 1450 Wide	5.6kg	1	1	1	1	1	1	1	1	1	1	1	1	1
60351300	Span Frame M2 - 2.0m - 4 Rung - 1450 Wide	7.1kg	3	2	3	3	3	4	3	4	4	5	4	4	5
61151300	Ladder Frame M3 - 1.0m - 2 Rung - 1450 Wide	5.4kg	-	1	1	-	-	-	-	-	-	-	-	-	-
61051300	Ladder Frame M3 - 1.5m - 3 Rung - 1450 Wide	8.0kg	1	1	1	1	1	1	1	1	1	1	1	1	1
60951300	Ladder Frame M3 - 2.0m - 4 Rung - 1450 Wide	10.4kg	1	1	1	1	1	2	1	2	2	3	2	3	3
34051300	Cantilever Frame	7.5kg	2	2	2	2	2	2	2	2	2	2	2	2	2
34651400	0.5m Vertical Brace	1.1kg	1	1	1	1	1	1	1	1	1	1	1	1	1
34851300	2.5m Horizontal Brace	2.4kg	10	10	10	14	14	14	14	14	14	18	18	18	18
31451300	2.7m Diagonal Brace	2.5kg	2	4	4	6	6	6	8	8	10	10	12	12	12
30251100	2.5m Fixed Deck	16.0kg	3	3	3	5	5	5	5	5	5	5	5	5	5
30551100	2.5m Treadboard Deck	16.3kg	1	1	1	1	1	2	2	2	2	3	3	3	3
31751300	Stabiliser - SP7 - Saddle Blade Clamp	3.8kg	4	4	4	4	4	4	4	4	4	4	4	4	4
31851300	Stabiliser - SP10 - Saddle Blade Clamp	8.6kg	-	-	-	-	-	-	-	-	-	-	-	-	-
34051600	0.89m Brace Assembly	1.6kg	-	-	-	-	-	-	-	-	-	-	-	-	-
34451300	1.99m Brace Assembly	2.4kg	-	-	-	-	-	-	-	-	-	-	-	-	-
00214100	Swivel Coupler - Steel	1.7kg	4	4	4	4	4	4	4	4	4	4	4	4	4
31451100	2.5m Cantilever Infill Deck	11.2kg	1	1	1	1	1	1	1	1	1	1	1	1	1
30150300	Toe Board Holder	0.3kg	4	4	4	4	4	4	4	4	4	4	4	4	4
33650900	2.1m End Toe Board	3.6kg	2	2	2	2	2	2	2	2	2	2	2	2	2
30550900	2.5m Side Toe Board	4.4kg	2	2	2	2	2	2	2	2	2	2	2	2	2
30001900	Tower Designation Information Kit	-	1	1	1	1	1	1	1	1	1	1	1	1	1
03302200	User Guide	-	1	1	1	1	1	1	1	1	1	1	1	1	1

Component Quantity & Safety Data Schedule

Total Self-weight Of Tower (kg)	218	229	233	288	308	319	323	381	385	396	399
Ballast Internal Use (kg)	110	120	130	150	160	160	160	160	170	170	170
Ballast External Use (kg)	130	170	210	250	290	310	350	400	440	490	530
Max. Exerted Leg Load Internal Use (kg)	285	300	310	325	335	350	360	370	380	390	400
Max. Exerted Leg Load External Use (kg)	285	310	330	355	375	400	420	455	482	520	550
Max. No. Of Persons On Any One Platform Unit	2	2	2	2	2	2	2	2	2	2	2
Max. No. Of Persons Permitted On The Tower During Assembly & Dismantling	2	2	2	2	2	2	2	2	2	2	2
Max. No. Of Simultaneous Working Platforms Permitted	1	1	1	1	1	1	1	1	1	1	1
Max. No. Of Persons Permitted On The Working Platform During Use											
Highest Working Platform During Use	2	2	2	2	2	2	2	2	2	2	2
2nd / 3rd / 4th / 5th / 6th Highest Working Platform During Use	-	-	-	-	-	-	-	-	-	-	-
Max Safe Working Load On The Working Platform (kg U.d.l)											
Highest Working Platform (kg U.d.l)	715	715	715	715	715	715	715	715	715	715	715
2nd / 3rd / 4th / 5th / 6th Highest Working Platform (kg U.d.l)	-	-	-	-	-	-	-	-	-	-	-
Max. Safe Working Load On The Entire Tower Scaffold (kg U.d.l)	715	715	715	715	715	715	715	715	715	715	715
Max. Working Platform Height For Internal Use (m)	1.2	1.7	2.2	2.7	3.2	3.7	4.2	4.7	5.2	5.7	6.2
Max. Working Platform Height For External Use (m)	1.2	1.7	2.2	2.7	3.2	3.7	4.2	4.7	5.2	5.7	6.2
Design Standard	BS1139-6	BS1139-6	BS1139-6	BS1139-6	BS1139-6	BS1139-6	BS1139-6	BS1139-6	BS1139-6	BS1139-6	BS1139-6
Load Class	2	2	2	2	2	2	2	2	2	2	2
Access Class	D	D	D	D	D	D	D	D	D	D	D
Clear Height Class	-	-	-	H ₂	H ₂	H ₂	H ₂	H ₂	H ₂	H ₂	H ₂

NOTE:

The safety data specified within the schedule above which relates to the specific tower to be assembled must be transferred into the pre-defined boxes on the Tower Designation Information insert found in the Tower Designation Information Kit.

Build method

3.2m working platform height shown*



Build pattern - type 1
Tower working
platform heights:
1.2m, 3.2m, 5.2m

3.7m working platform height shown*



Build pattern - type 2
Tower working
platform heights:
1.7m, 3.7m, 5.7m

*Note: Decks and guardrails
omitted from views for clarity.

Build method

4.2m working platform height shown*



Build pattern - type 3
Tower working
platform heights:
2.2m, 4.2m, 6.2m

2.7m working platform height shown*



Build pattern - type 4
Tower working
platform heights:
2.7m, 4.7m

*Note: Decks and guardrails
omitted from views for clarity.

Build Method

When building a BoSS tower

- To comply with 'Work at Height Regulations' we show assembly procedures with platforms every 2 metres in height and the locating of guardrails in advance of climbing onto a platform to increase safety and reduce the risk of a fall.
- Never stand on an unguarded platform positioned above the first rung of a tower. If your risk assessment shows it necessary, you may also need to guardrail platforms at this level.

The procedure illustrated shows a 6.2m working height tower build. For alternative tower height build patterns see pages 17 and 18.

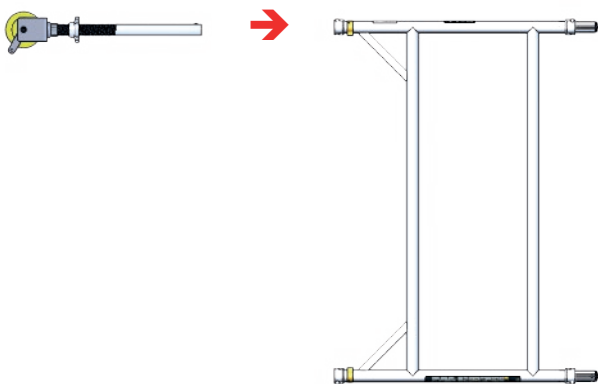
The manufacturer recommends two persons are used to build BoSS Towers. Above 4.0m platform height, it is essential that at least two persons are used. Only climb the tower from the inside.

The manufacturer recommends the 'Tower Designation & Safety Data' is recorded within the 'Tower Designation Information Assembly' before proceeding with the tower assembly. Refer to Safety Data Schedule for content.

1 Push castor into adjustable leg. Push castor/ leg assembly into the 2 rung frame and lock the castor. Repeat for the other side of the frame. It is recommended, for ease of levelling, that a maximum gap of 50mm is left between the bottom of the leg and the adjustable nut.

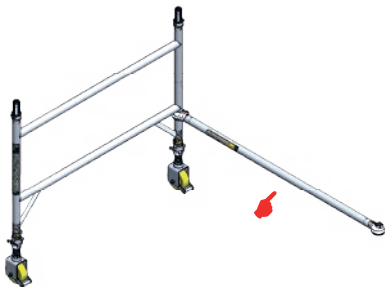
Ensure all castors are locked.

Note: Adjustable legs are for levelling only. They are not to be used to gain extra height at the working level.



Build Method

- 2** Fit one horizontal brace (red catch) onto the vertical of the 2 rung span frame, just below the bottom rung with the open section of the claw facing outwards.



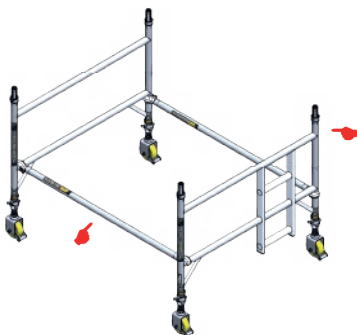
Note: All locking claws must be opened before fitting and positively locked into position.

- 3** Repeat step 1 for the 2 rung ladder frame and position it as shown and fit the other end of the horizontal brace onto the vertical, just below the bottom rung of span frame. Fit the second horizontal brace between the bottom rungs on the other side of the frame to square the structure.

Ensure all claws are positively locked into position.

The structure must be vertical to within 1cm per metre.

Ensure the frames are vertical and level by checking with a spirit level and setting the adjustable legs as required.



Build Method

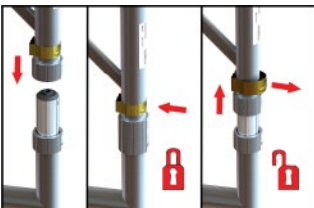
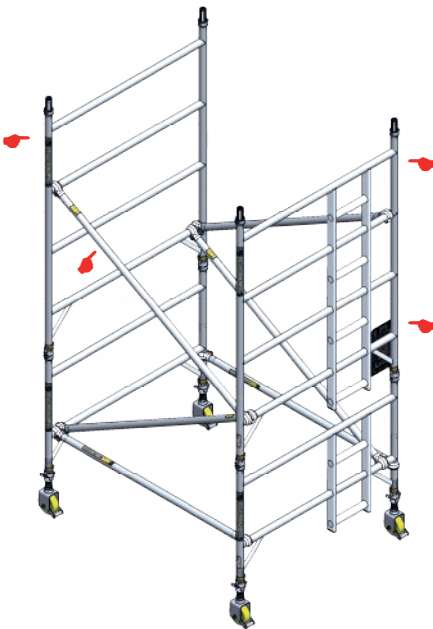
4 Fit the 4 rung ladder frame and the 4 rung span frame to the structure base. Fit four diagonal braces in positions shown. Ensure all claws are positively locked into position.

Ensure inbuilt ladders are aligned.

Record 'tower designation & safety data' within the 'tower designation Information assembly' and attach to the tower in position shown.

Refer to safety data schedule for content.

For alternative tower height build patterns pages 17 and 18.



Ensure interlock clips on frame members are in the 'locked' position.

Build Method

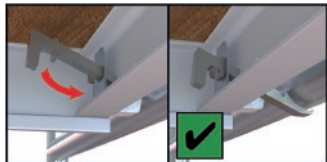
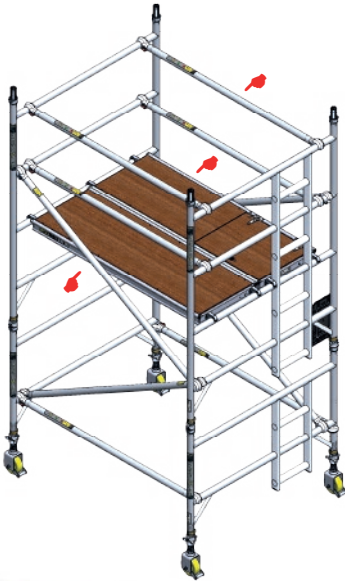
5 Fit the trapdoor deck and fixed deck on the fourth rungs of the tower. The trapdoor deck must be oriented such that the trapdoor opens towards the outside of the structure. Ensure the deck wind-locks are engaged.

From the protected trapdoor position, fit guardrails at 0.5m and 1.0m (in that order) above the platform level.

Do not climb on the deck until it all guardrails are in place.

Ensure all claws are positively locked into position.

Ensure trapdoor is directly aligned with inbuilt ladder.



3T - Protected
Trapdoor Position

Ensure all wind-locks are engaged.

Build Method

- 6** Fit four stabilisers as shown, see page 8 for details. Telescopic stabilisers must always be fully extended.

Note: Position lower clamps so that the lower arm is as close to horizontal as possible. Adjust the position of the top clamp to ensure the stabiliser foot is in firm contact with the ground. Ensure clamps are secure.



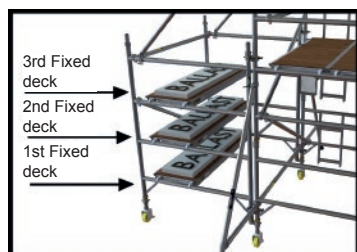
Build Method

7 Fit two castors with adjustable legs to the outer tubes of two 4 rung span frames and link them to the tower structure using four swivel couplers. The couplers should be fitted below the first and above the fourth rungs of the tower structure. Fit one horizontal brace followed by one diagonal brace, as shown. Fit fixed decks to support ballast. Ensure all wind-locks are engaged.

Ensure all claws are positively locked into position.

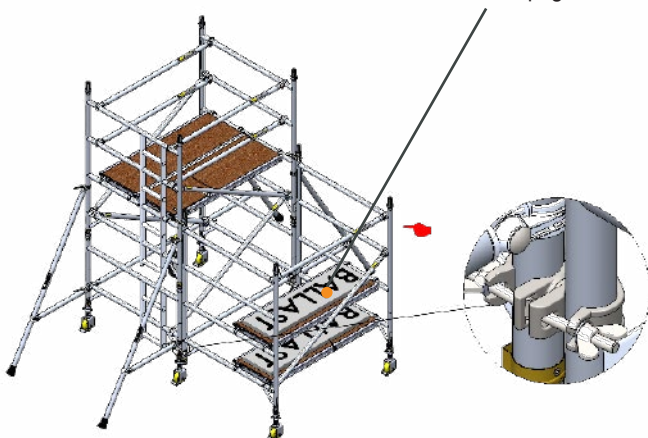
Note: Ballast weights should be uniformly distributed to a maximum of 275kg per deck.

The tower must be vertical to within 1 cm per metre.



For alternative tower height build patterns see pages 17 and 18.

Note: Fit Ballast at this stage. For ballast information, see page 6.



Build Method

Quantity of fixed decks to support ballast 1.8m long main tower with 0.6m wide cantilever

Composite code	33401200	33401700	33402200	33402700	33403200	33403700	33404200	33404700	33405200	33405700	33406200
Working height (m)	3.2	2.7	4.2	4.7	5.2	5.7	6.2	6.7	7.2	7.7	8.2
Platform height (m)	1.2	1.7	2.2	2.7	3.2	3.7	4.2	4.7	5.2	5.7	6.2
No. of fixed decks	1	1	1	1	1	2	2	2	2	2	2

Quantity of fixed decks to support ballast 2.5m long main tower with 0.6m wide cantilever

Composite code	33501200	33501700	33502200	33502700	33503200	33503700	33504200	33504700	33505200	33505700	33506200
Working height (m)	3.2	2.7	4.2	4.7	5.2	5.7	6.2	6.7	7.2	7.7	8.2
Platform height (m)	1.2	1.7	2.2	2.7	3.2	3.7	4.2	4.7	5.2	5.7	6.2
No. of fixed decks	1	1	1	1	2	2	2	2	2	2	2

Build Method

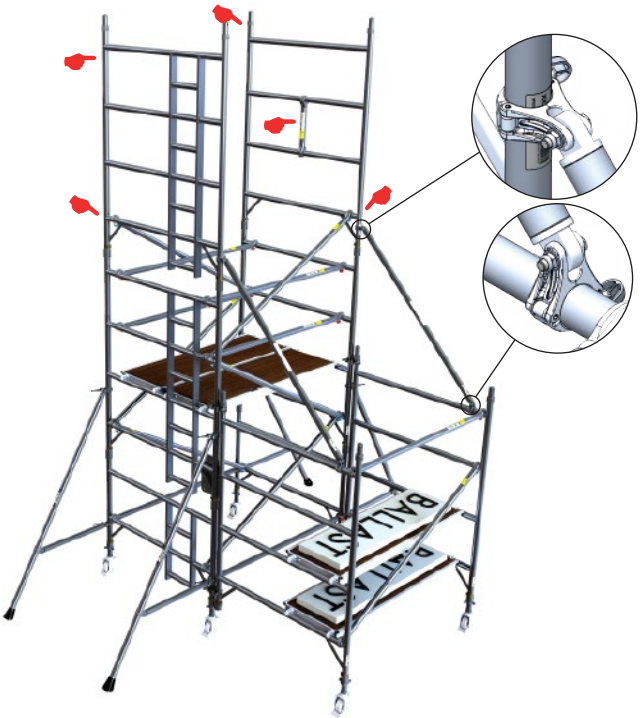
- 8** Fit the 0.5m vertical brace into a span frame between the 2nd and 3rd crossbars at mid span as shown.

Fit this span frame and the next ladder frame making sure that interlock clips are engaged. Fit two diagonal braces, as shown. Fit two 1.98m brace assemblies.

Ensure all claws are positively locked into position.

Ensure inbuilt ladders are aligned.

Tie the frames together using the 1.98m brace assemblies, as shown. Ensure clamps are fully tightened. Ensure brace assemblies span end frame joint.



Build Method

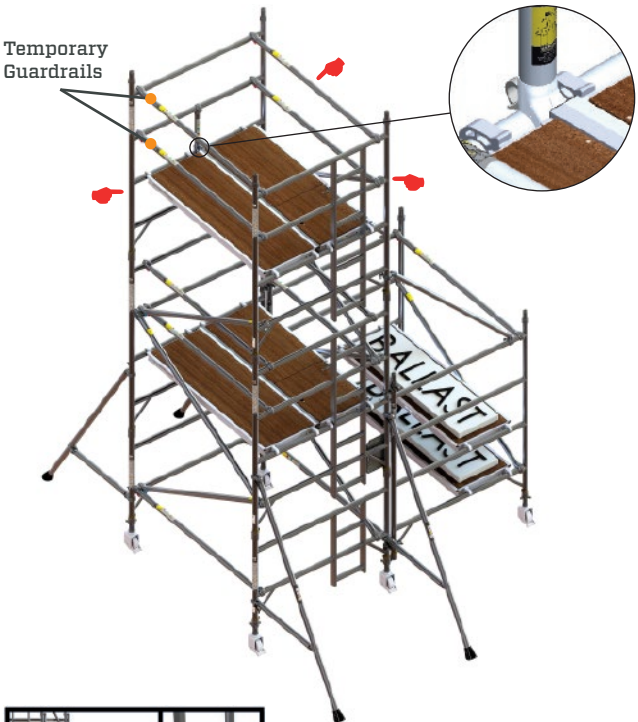
9 Fit the fixed deck and trapdoor deck 2.0m above the previous level, ensuring the decks are positioned each side of the 0.5m vertical brace as shown. Ensure all wind-locks are engaged.

Note the orientation of the trapdoor. From the protected trapdoor position, fit guardrails at 0.5m and 1.0m (in that order) above the platform level. Fit one diagonal brace in position shown.

Ensure all claws are positively locked into position.

Ensure trapdoor is directly aligned with inbuilt ladder.

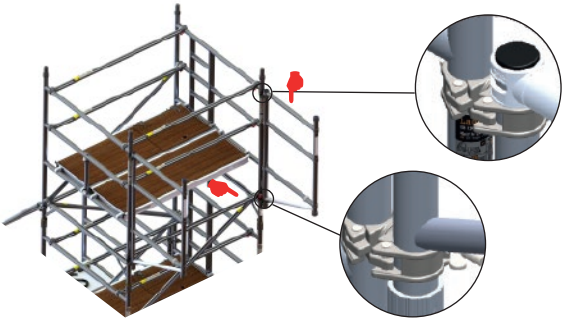
Do not climb on the deck until all guardrails are in place.



When building beyond 4.2m platform height: Before fitting cantilever frames ensure end frame joints on opposite tower face are tied together as shown. Ensure clamps are fully tightened. Ensure brace assemblies span the end frame joint.

Build Method

- 10** Fit two cantilever frames, as shown. Note position of couplers. Fit one 1.8m horizontal brace in position shown. Ensure all claws are positively locked into position. Ensure wing nuts are fully tightened.



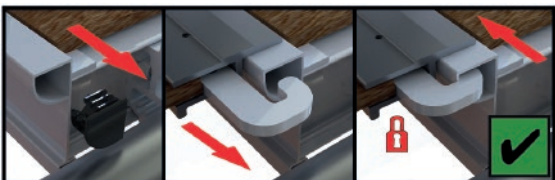
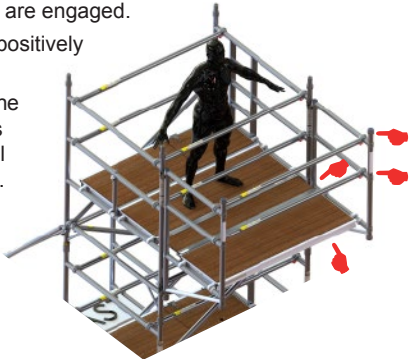
- 11** From the protected position within the main tower, fit one fixed deck and infill deck, as shown.

Fit two extra guardrails at the end of the cantilever frames, as shown.

Ensure all wind-locks are engaged.

Ensure all claws are positively locked into position.

Do not walk out onto the cantilever bay until it is fully assembled and all guardrails are in place.



Remove four
end plugs

Position infill
deck

Engage all
wind-locks

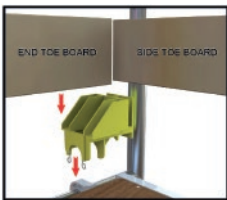
Build Method

- 12** Fit toe board holders and toe boards around edges of top decks, as shown.

Temporary Guardrails to be stored in positions shown.

Ensure all claws are positively locked into position.

The tower is now complete.



Build Method

To dismantle a BoSS tower:

Simply follow the assembly steps in reverse, ensuring that the 3T method is followed.

Pre-Use Safety Inspection Checklist

Description	Yes
Tower structure upright and level	
Castors locked and legs correctly adjusted	
Horizontal and diagonal braces fitted	
Stabilisers fitted as specified	
Platforms located and wind-locks engaged	
0.89m and 1.98m brace assemblies fitted (when specified)	
Interlock clips engaged	
Toe boards located	
Infill decks fitted correctly	
Ballast fitted as specified	
Guardrails fitted correctly and positively locked	
Tower designation information kit fitted	

This checklist should be actioned at intervals determined by the manager. This checklist should also be actioned if the tower has been moved or modified, if any damage is suspected or if there are any changes to the local environment that may affect tower stability.

For further information about this product or any other products and services, please contact:

Blackwater Trading Estate,
The Causeway, Maldon,
Essex, CM9 4LJ,
United Kingdom

☎ +44 (0)1621 745900

☎ +44 (0)1621 859845

✉ uk.customercare@wernerco.com

🌐 bossaccessstowers.com

Members of:



PN03302200

©2019 WernerCo. Rev. 09/19